

EX Series

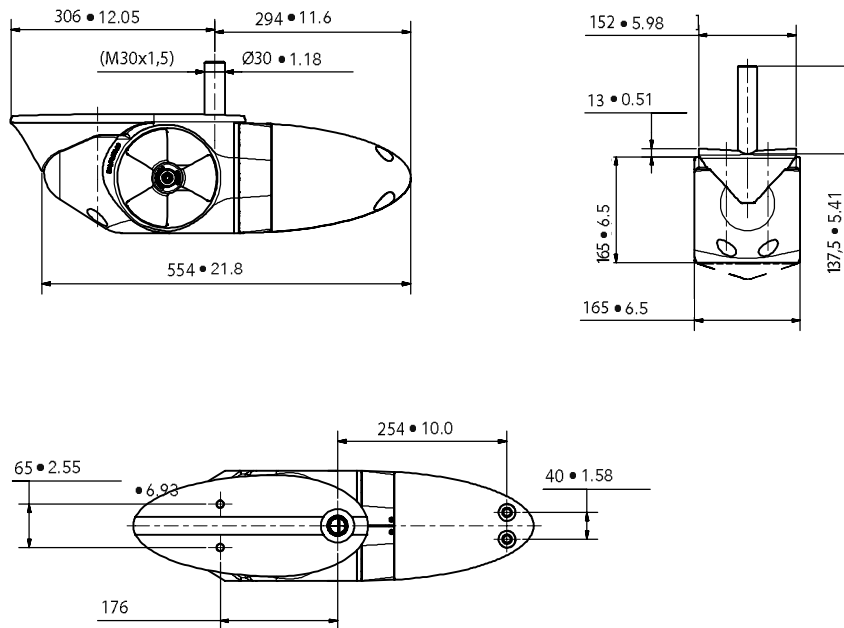


EX Series	EX 35 S	EX 55 S	EX 75 S	EX 95 S
Thrust at 11.5V/23V* (kg • lbs)	25 • 55	40 • 88	53 • 117	67 • 148
Performance thrust** (kg • lbs)	35 • 77	55 • 121	74 • 163	95 • 210
Typical boat size (ft • m)	20' - 28' • 6 - 8.5	26' - 34' • 8 - 10.5	29' - 38' • 9 - 12	35' - 48' • 10 - 15
Tunnel I.D. (mm • in)	150 • 5.9"	150 • 5.9"	150 • 5.9"	150 • 5.9"
Propulsion system	Single	Single	Single	Single
Power at 10.5V/21V* (kw • Hp)	1.3 • 1.75	1.8 • 2.4	2.3 • 3.1	3.0 • 4.0
For DC system (V)	12	12	24	24
Weight (kg • lbs)	19,5 • 43	19,5 • 43	19,5 • 43	19,5 • 43
Min. Batt. Cap (CCA**12/24V)	170	225	150	190
Item Code 12V	EX35S	EX55S		
Item Code 24V			EX75S	EX95S



Measurements

EX Single



*Note 2 - See page 47

